

2/3-Way Vacuum Valve MVV

Pneumatic 2/3-Way Vacuum Switching Valve MVV

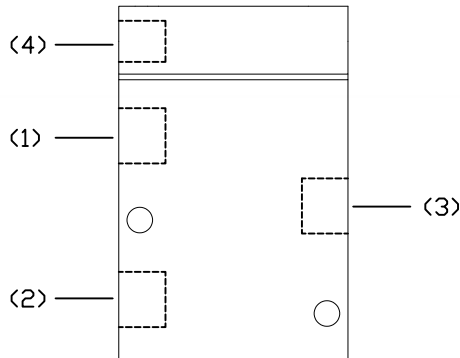
Pneumatic 2/3-Way Vacuum Switching Valve MVV



Introduction and application

- ◆ The valve is a 2/3-way pneumatically controlled cone valve with a normally open or closed type.
- ◆ This valve is suitable for applications where a vacuum system needs to introduce air quickly to restore atmospheric pressure.

System design 2/3-Way Vacuum Switching Valve MVV



Design

- ◆ The body is made of aluminum alloy
- ◆ (4) is the compressed air inlet
- ◆ When the valve is used normally open, (1) is the vacuum pump interface, (2) is the pressure relief port, and (3) is the action port.
- ◆ When the valve is used normally closed, (1) is the pressure relief port, (2) is the vacuum pump interface, and (3) is the action port.

Ordering Data 2/3-Way Vacuum Switching Valve MVV

Type	Dimensions[mm]
MVV G1/4	90.06.01.00007
MVV G3/8	90.06.01.00008
MVV G1/2	90.06.01.00009
MVV G3/4	90.06.01.00010
MVV G1	90.06.01.00011
MVV G1 1/2	90.06.01.00012

Combined Suction Cups

Vacuum Suction Cups

Composite Suction Cups

Special Grippers

Vacuum Gripping Systems

Mounting Elements

Vacuum Generators

Valve Technology

Switch And Monitoring

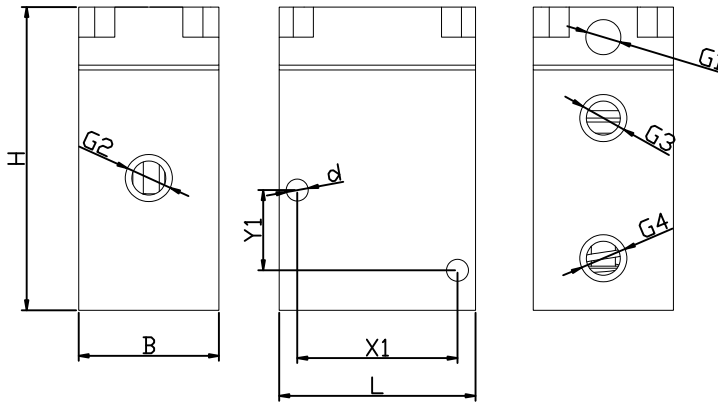
Vacuum Filters

2/3-Way Vacuum Valve MVV

Pneumatic 2/3-Way Vacuum Switching Valve MVV

Design Data 2/3-Way Vacuum Switching Valve MVV

MVV



Type	Dimensions[mm]									
	B	d	G1	G2	G3	G4	H	L	X1	Y1
MVV G1/4	35	5.5	G1/8"-F	G1/4"-F	G1/4"-F	G1/4"-F	75	49	40	20
MVV G3/8	35	5.5	G1/8"-F	G3/8"-F	G3/8"-F	G3/8"-F	75	49	40	20
MVV G1/2	39	6.5	G1/8"-F	G1/2"-F	G1/2"-F	G1/2"-F	91	62	45	20
MVV G3/4	49	6.5	G1/8"-F	G3/4"-F	G3/4"-F	G3/4"-F	115	79	60	30
MVV G1	49	6.5	G1/8"-F	G1"-F	G1"-F	G1"-F	115	79	60	30
MVV G1 1/2	90	8.5	G1/8"-F	G1"1/2-F	G1"1/2-F	G1"1/2-F	175	130	100	49

Technical Data 2/3-Way Vacuum Switching Valve MVV

Type	Maximum flow [cum/h]	Minimum vacuum [mbar abs]	Maximum vacuum [mbar abs]	Excitation reaction time [msec]	Degaussing reaction time [msec]	Bore diameter [mm]	Through hole area [mm ²]	Control pressure [bar]	Weight [Kg]
MVV G1/4	6	1000	0.5	5	10	8.5	56.8	4...7	0.318
MVV G3/8	10	1000	0.5	5	10	11.5	103.8	4...7	0.308
MVV G1/2	20	1000	0.5	6	15	15	176	6...8	0.49
MVV G3/4	40	1000	0.5	7	16	20	314	6...8	1.06
MVV G1	90	1000	0.5	7	16	25	490	6...8	0.964
MVV G1 1/2	180	1000	0.5	65	30	40	1256	6...8	4.456